

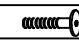


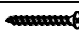
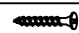



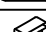
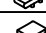
Read this instruction carefully. See hardware and furniture part list for guidance. Be sure all parts are complete, before you assemble. Place all wooden furniture parts on a clean and flat soft surface to prevent from being scratched. Follow the figure to start assembling.

**CAUTIONS :** 1. Do not FULLY - TIGHTEN the nut or nut bolt until all nut or bolt is ready assembled.  
 2. Do not OVER - TIGHTEN the nut or bolt to avoid causing damages to the thread.  
 3. Keep all hardware parts out of reach of children.

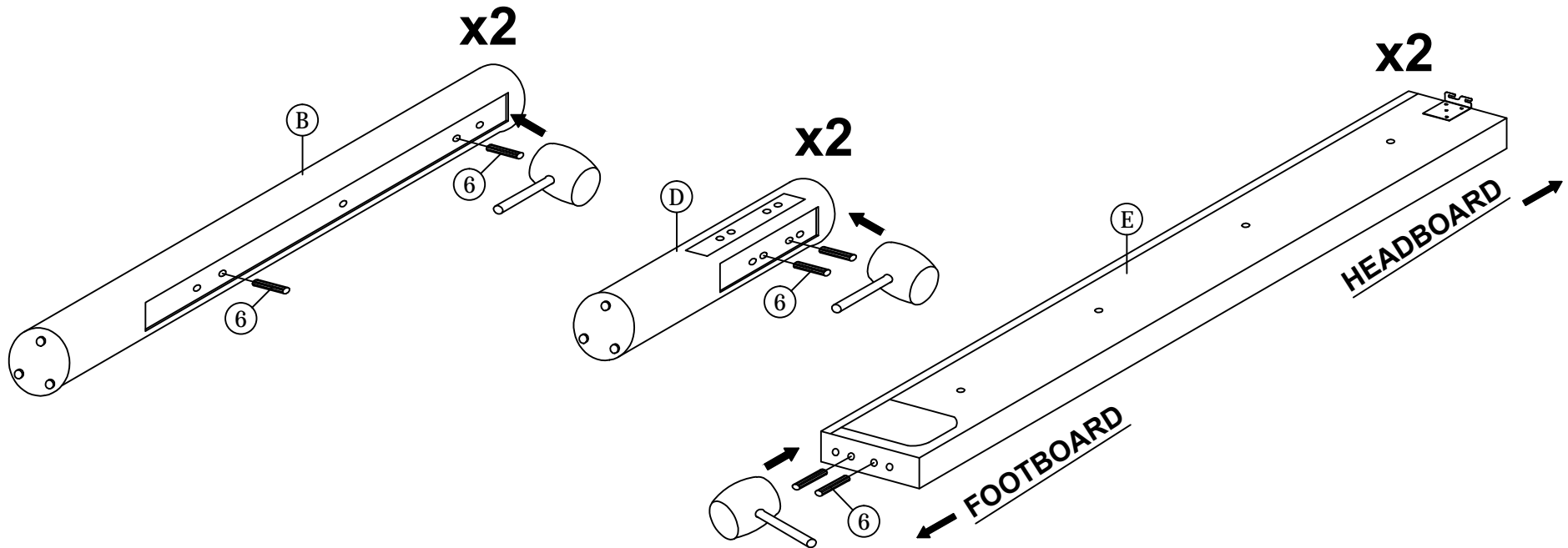
**NOTE :** THE LIST AND QUANTITY SHOWN ARE FOR 1 UNIT ASSEMBLY.

Tool needed : Screwdriver (not provider).

PART LIST		
ITEM	DESCRIPTION	QTY
A	HEADBOARD	1 PC
B	HEADBOARD LEG	2 PCS
C	FOOTBOARD	1 PC
D	FOOTBOARD LEG	2 PCS
E	SIDE RAIL	2 PCS
F	SIDE RAIL SUPPORT WOOD	2 PCS
G	CENTER RAIL	1 PC
H	CENTER SUPPORT LEG	3 PCS
I	CENTER SUPPORT	2 PCS
J	BED SLAT	26 PCS

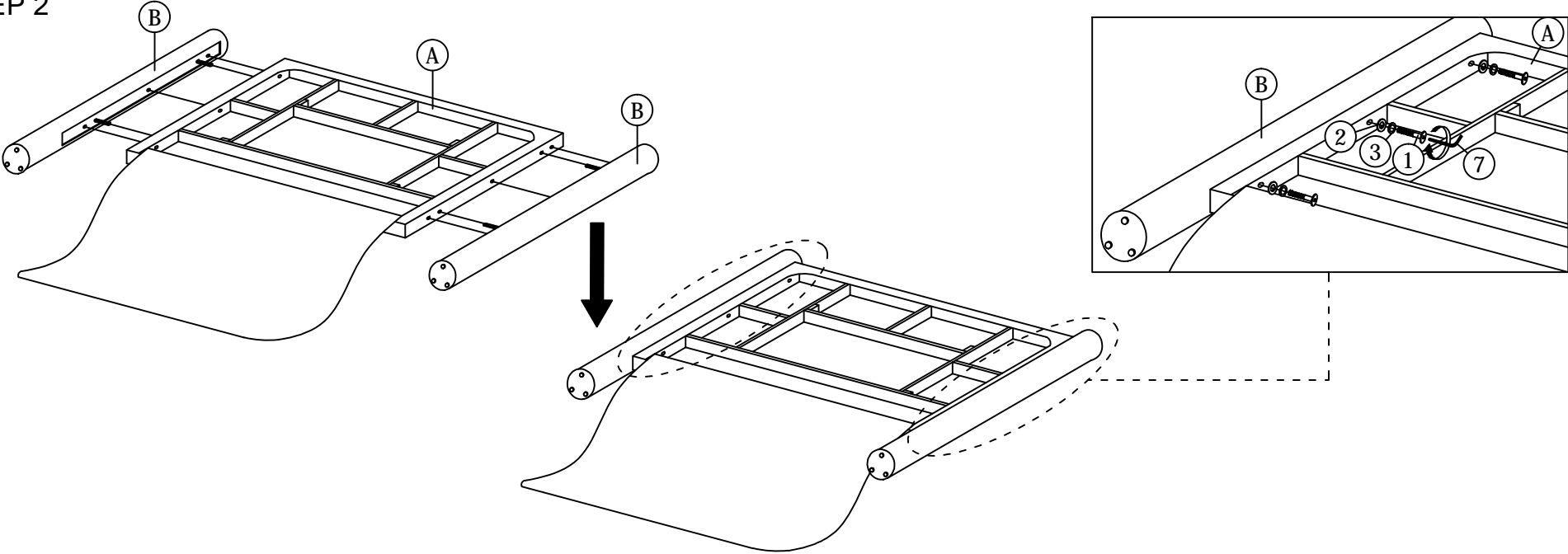
HARDWARE LIST		
ITEM	DESCRIPTION	QTY
1	JCBC BOLT M6 x 40mm 	22 PCS
2	M6 FLAT WASHER 	14 PCS
3	M6 SPRING WASHER 	14 PCS
4	WOOD SCREW M3.5 x 16mm 	8 PCS
5	WOOD SCREW M4 x 20mm 	2 PCS
6	WOOD DOWEL M8 x 30mm 	12 PCS
7	M4 ALLEN KEY (BALL SHAPE) 	1 PC
8	M5 ALLEN KEY (BALL SHAPE) 	1 PC
9	BED SLAT SIDE FITTER 	26 PCS
10	BED SLAT CENTER FITTER 	13 PCS

## STEP 1

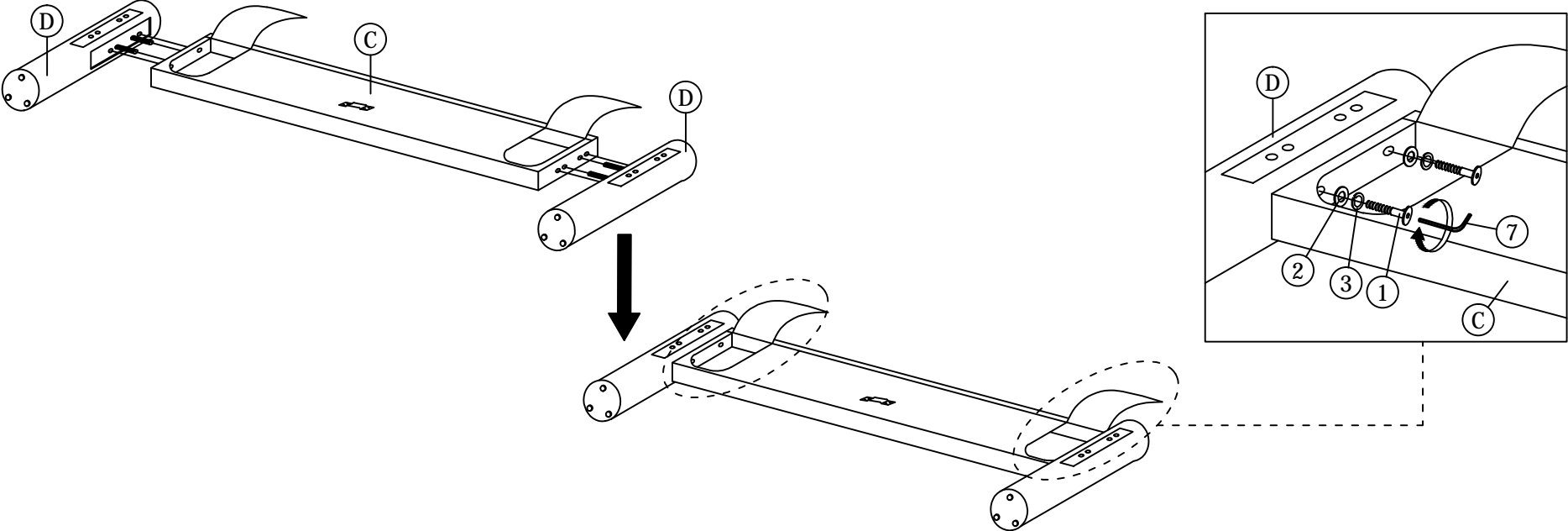


# ASSEMBLY INSTRUCTIONS

STEP 2

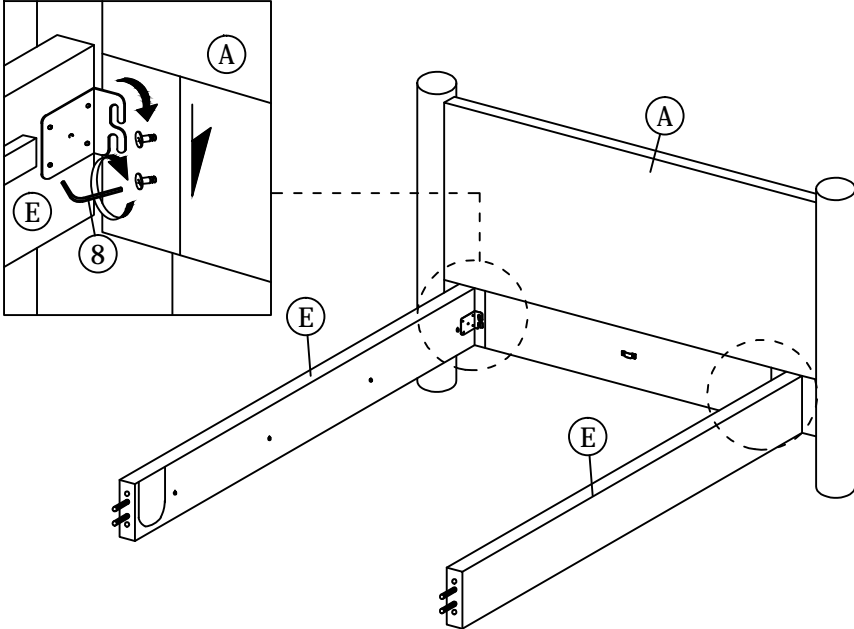


STEP 3

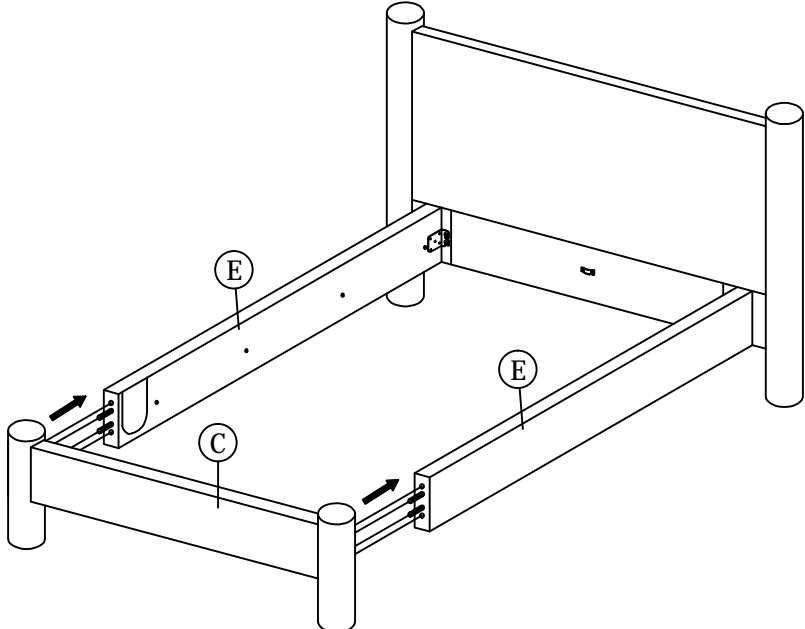


# ASSEMBLY INSTRUCTIONS

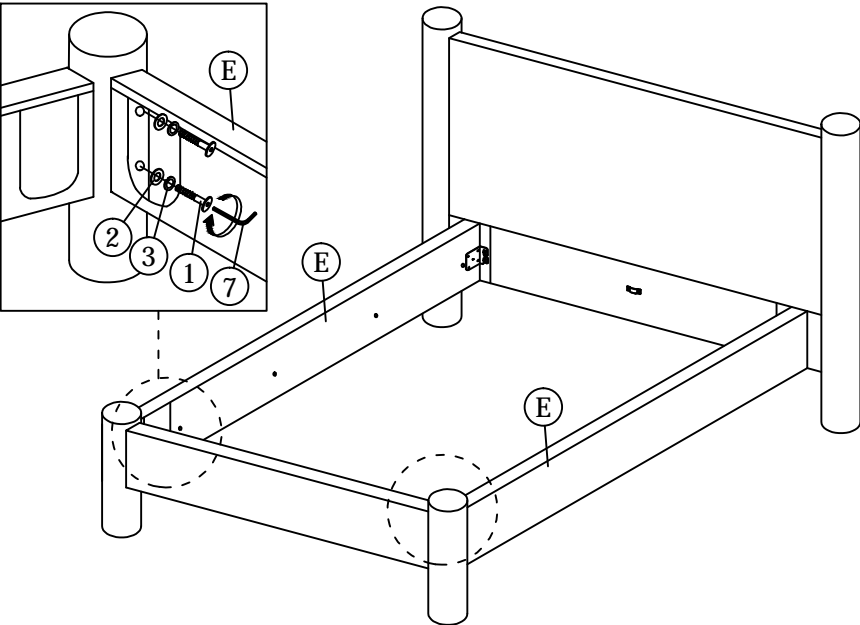
STEP 4



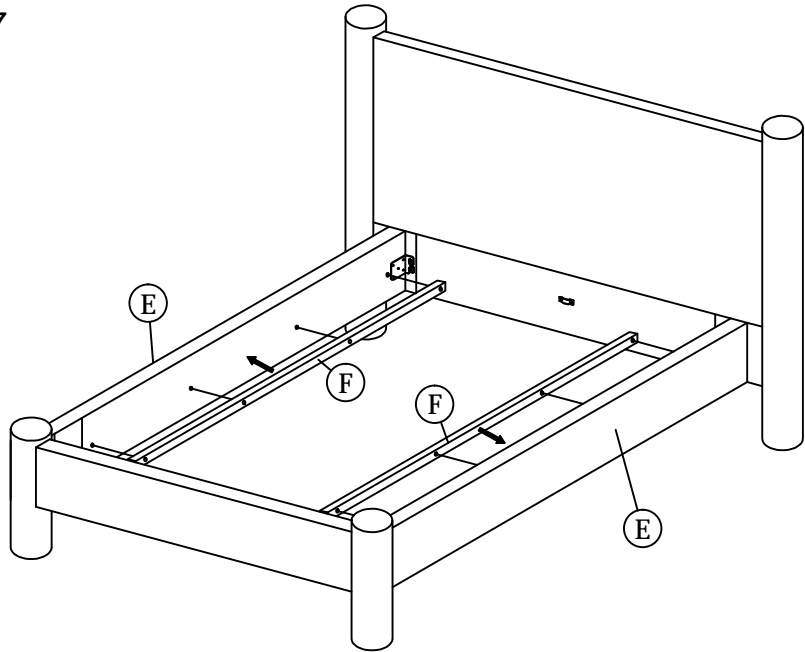
STEP 5



STEP 6

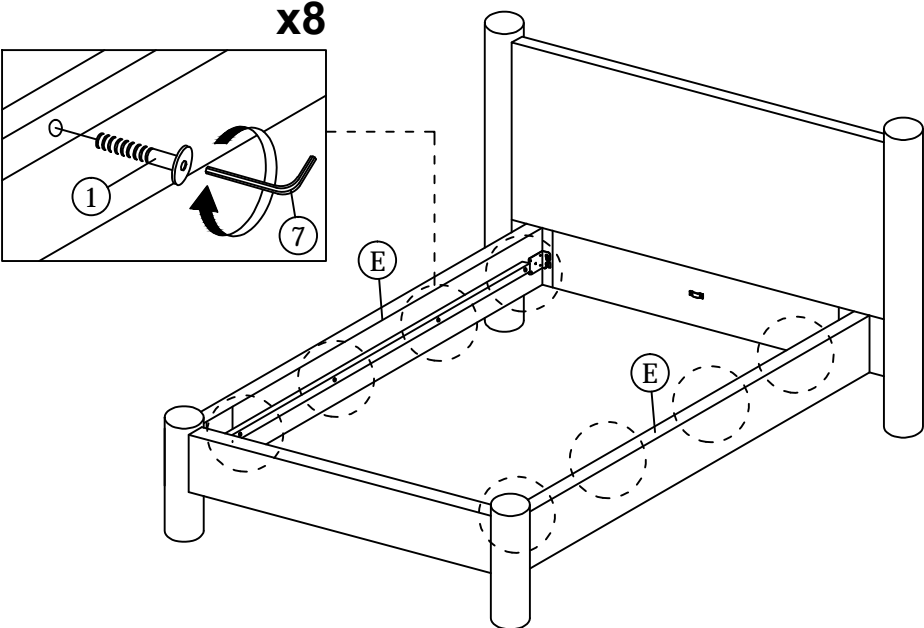


STEP 7

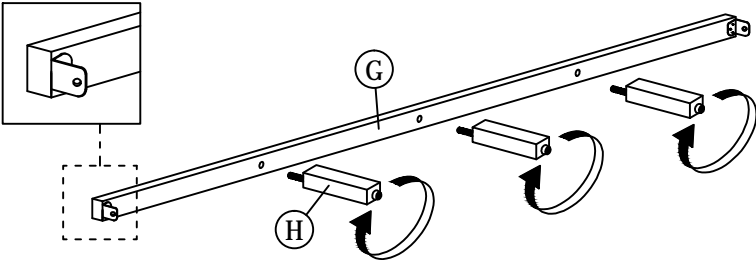


# ASSEMBLY INSTRUCTIONS

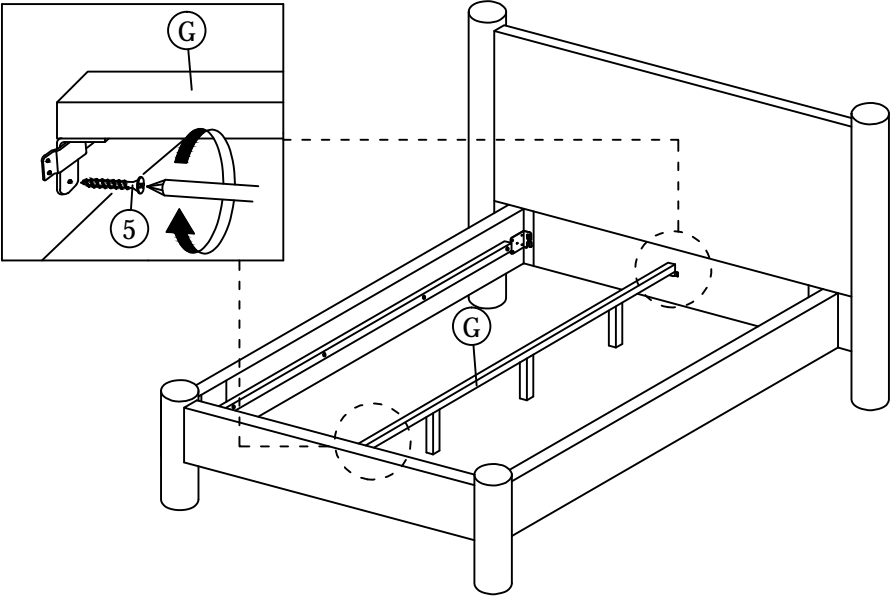
STEP 8



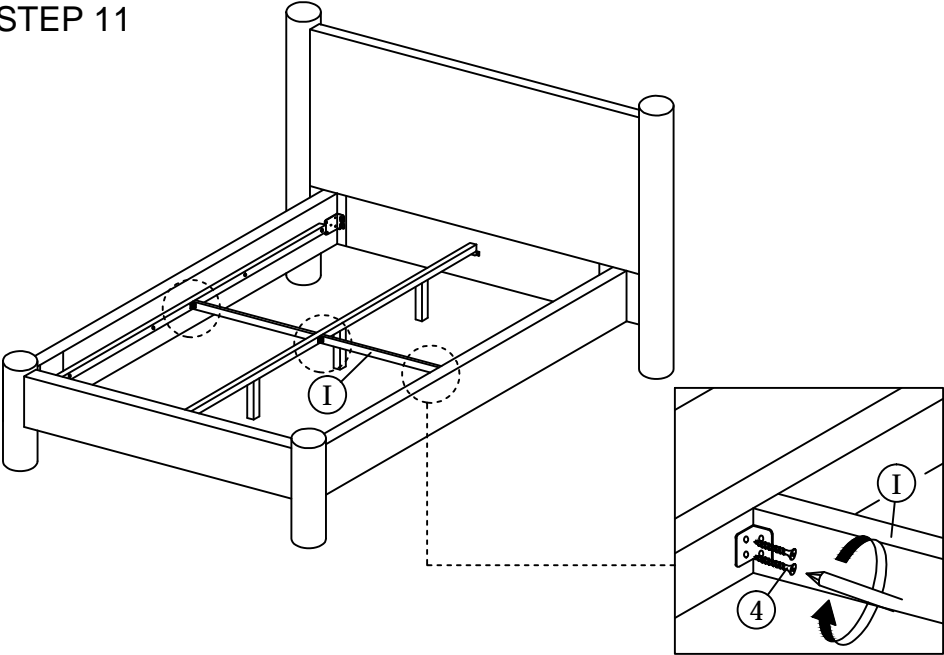
STEP 9



STEP 10

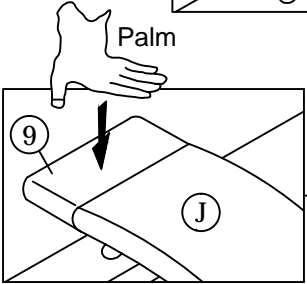
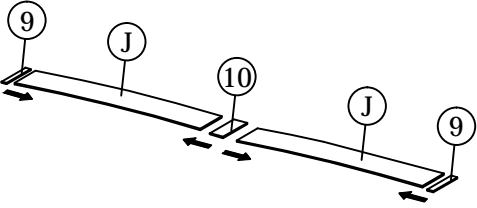
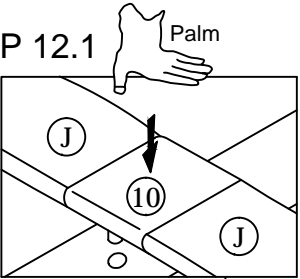


STEP 11

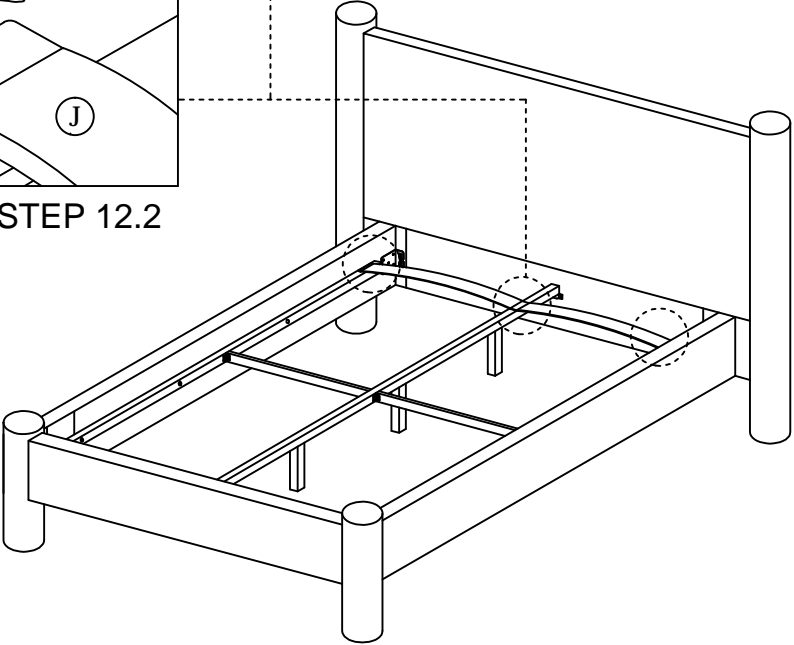


## STEP 12

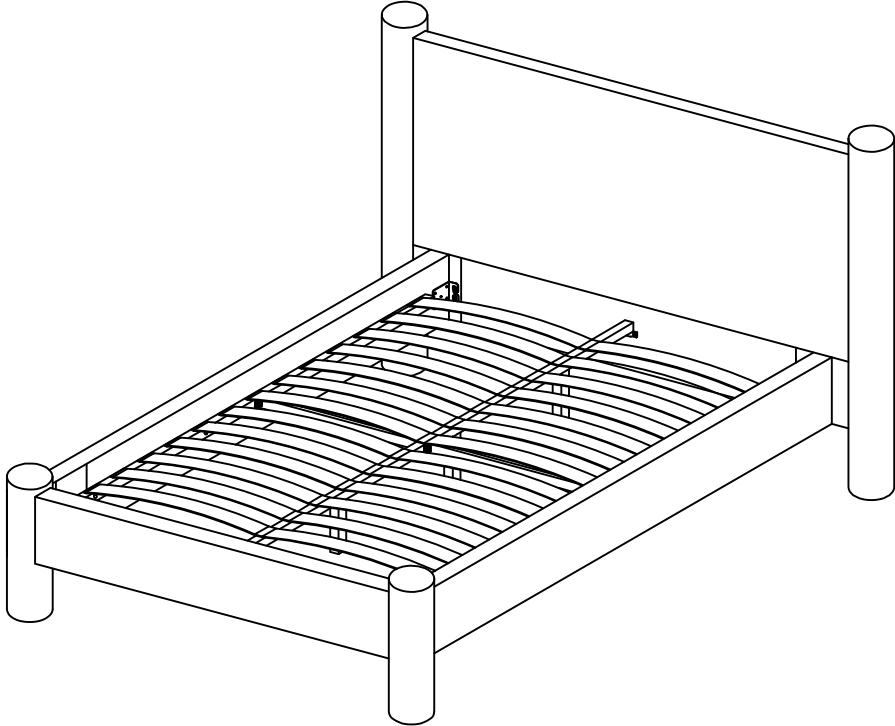
### STEP 12.1



### STEP 12.2



## STEP 13



\* When moving the bed position, the center support legs must be adjust to be straight to avoid any broken problem.